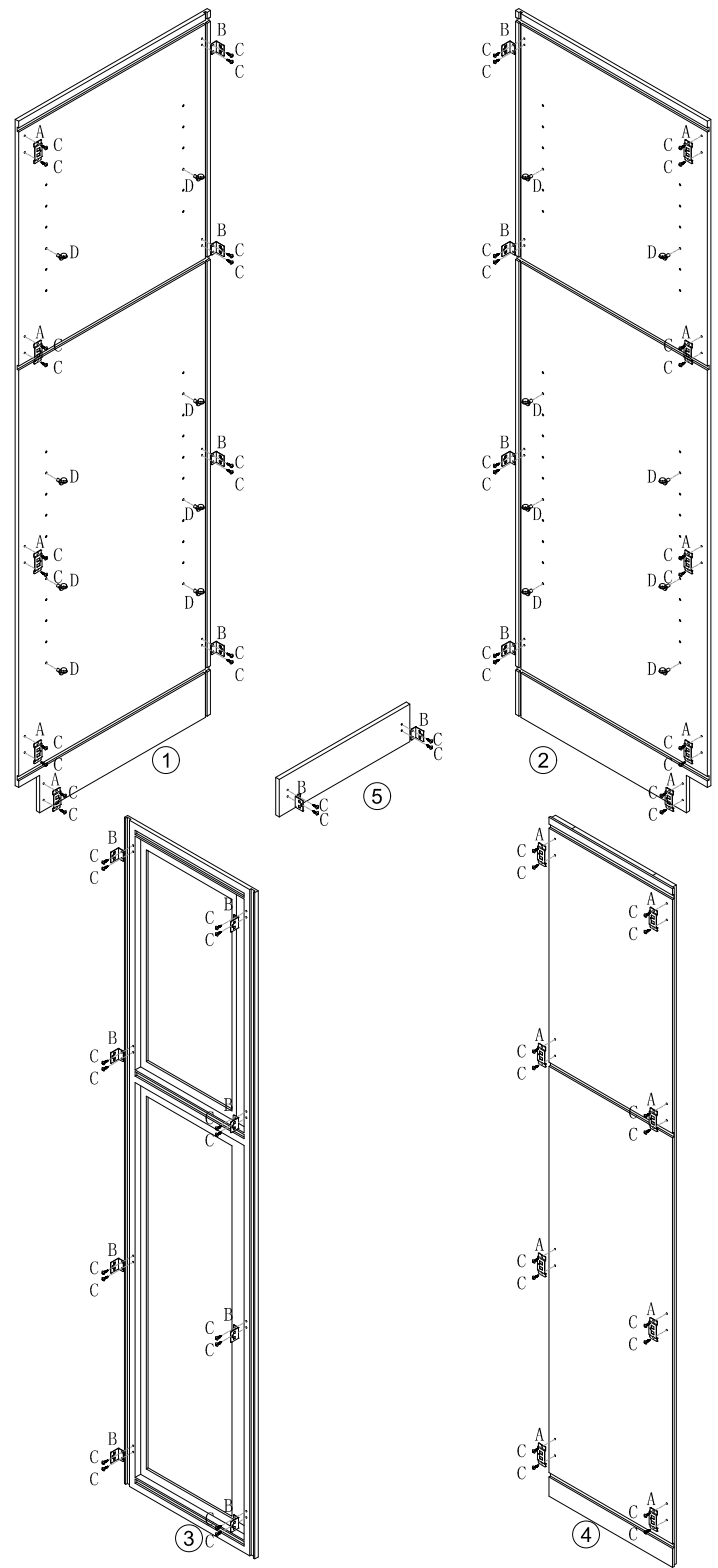
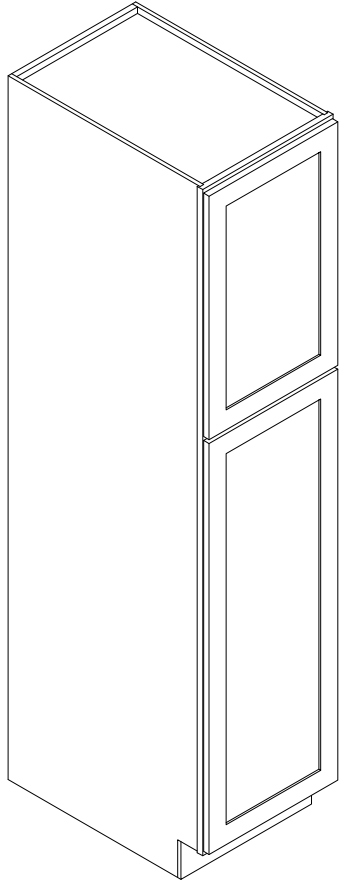


ASSEMBLY INSTRUCTIONS

WP1884/WP1893

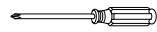
Step 1



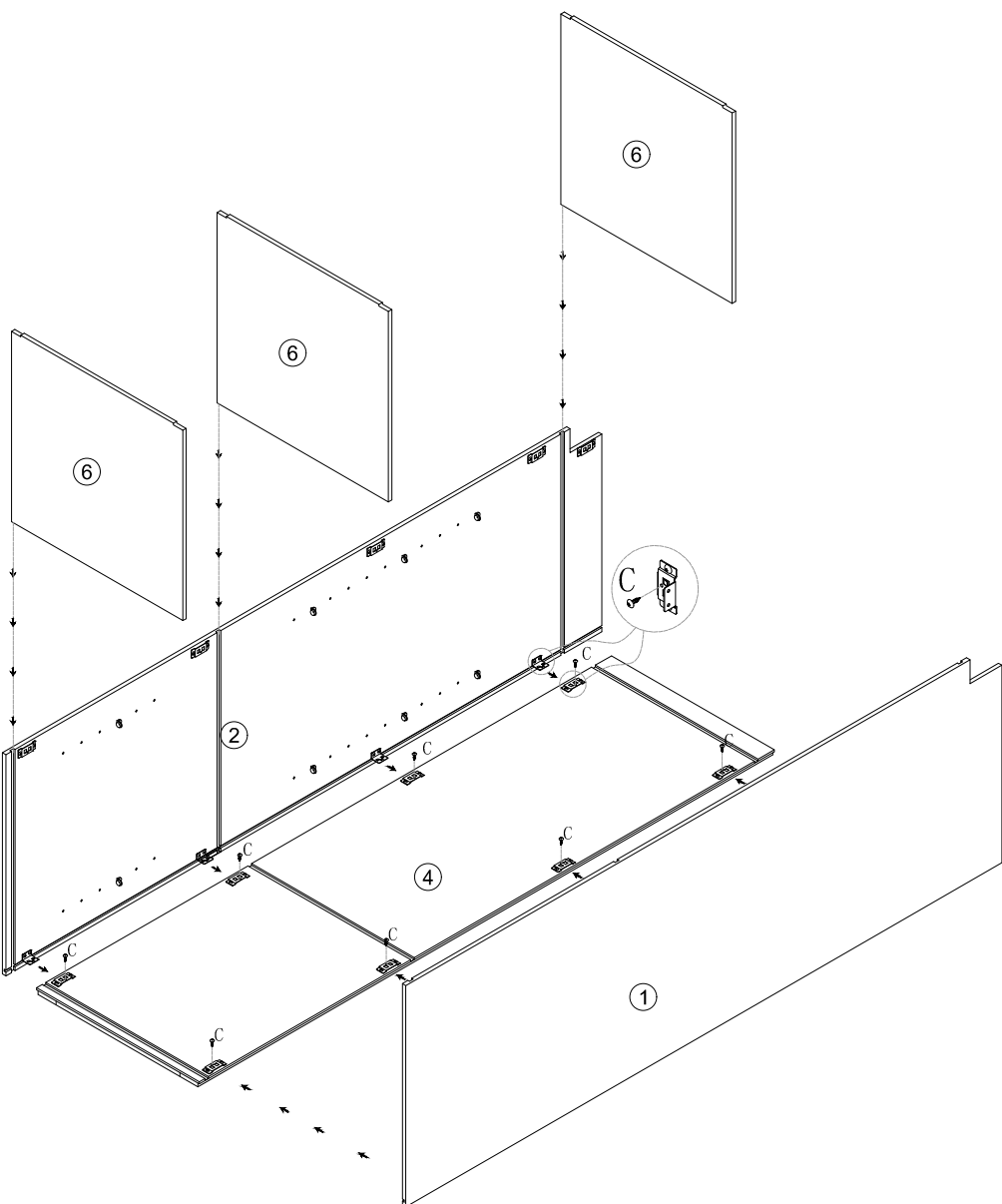
Parts list

| NO. | Parts | QTY |
|-----|----------------|-----|
| A | | 18 |
| B | | 18 |
| C | (M4*0.47") | 90 |
| D | | 16 |

Tools (required but not provided)



Step 2



Step 3

